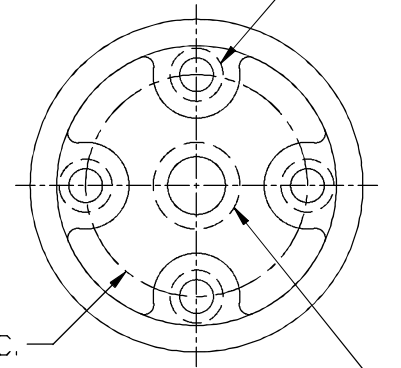


(4) 1/2-13 TH'D HOLES  
 x 11/16" GOOD THREAD



3" [76mm] D.B.C.

3/4-10 BOH HOLE  
 x 11/16" GOOD THREAD

VIEW "A-A"  
 (TYP. TOP & BOTTOM)

**DESCRIPTION**  
 HIGH-STRENGTH BUS INSULATOR

UNGLAZED FIRING SURFACE

DIMENSIONS

HEIGHT 8.375" [213mm]  
 DIAMETER 7.00" [178MM]  
 BOLT CIRCLE DIA. 3.00" [76MM]  
 LEAKAGE DISTANCE 15.25" [387MM]

MECHANICAL VALUES

TENSILE 7,900LBS [35kN]  
 COMPRESSION 50,000LBS [222kN]  
 CANTILEVER 3,100LBS [14kN]  
 TORSION 14,800LBS [66kN]

ELECTRICAL VALUES

DRY WITHSTAND (1 MIN) 60kV  
 DRY FLASHOVER 60kV  
 DEW WITHSTAND (10 SEC) 60kV  
 DEW FLASHOVER 60kV  
 IMPULSE WITHSTAND + 125kV  
 IMPULSE WITHSTAND - 125kV

NOTES:

- 1) INSULATOR MATERIAL = WET PROCESS PORCELAIN WITH ANSI #70 LIGHT GRAY GLAZE
- 2) INSERT MATERIAL = GALVANIZED STEEL



MV POWER LLC  
 2811 Hastings Road  
 Erie, PA 16506  
 Tel: 814-520-6385  
 Email: info@mvpower.us  
 Web: www.mvpower.us

PART# MI-HSB125  
 HIGH STRENGTH PORCELAIN BUS INSULATOR  
 25kV 125BIL