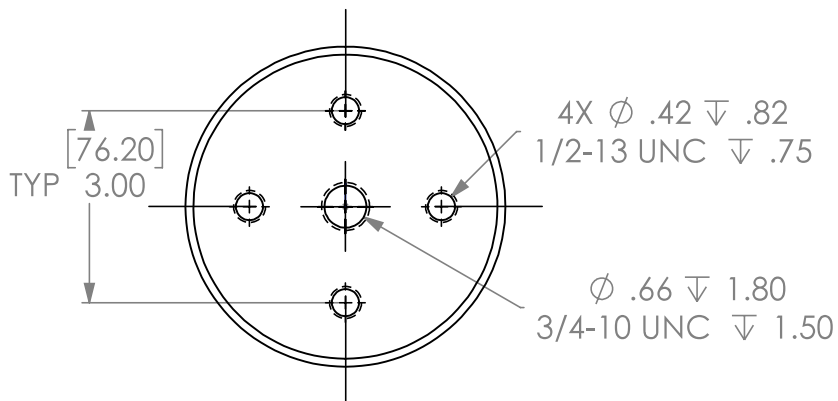
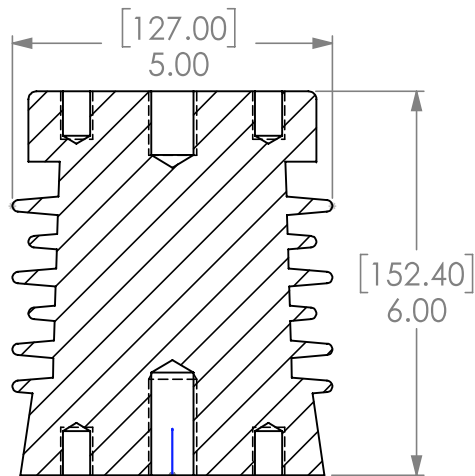
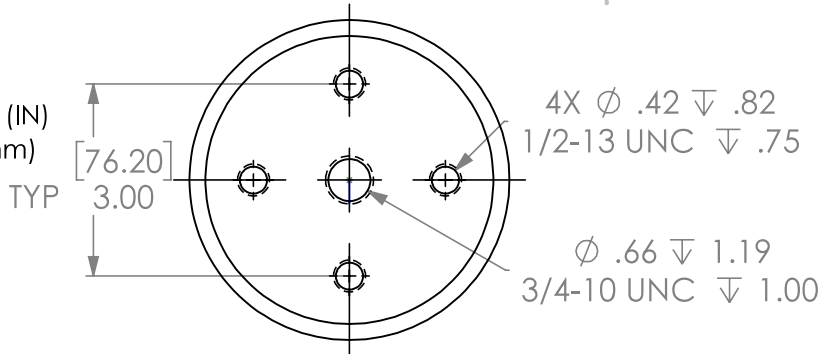


NOTE:

UNBRACKETED DIMENSIONS (IN)
BRACKETED DIMENSIONS (mm)



TECHNICAL REQUIREMENTS:

CANTILEVER STRENGTH:	2500# [11.3KN]
TENSILE STRENGTH:	5000# [22.7KN]
TORSION STRENGTH:	6000# [27.2KN.M]
COMPRESSION STRENGTH:	30000# [136KN]
NEMA VOLTAGE RATING:	13.2kV
60 HERTZ WITHSTAND - DRY:	36kKV
60 HERTZ WITHSTAND - WET:	26kKV
IMPULSE WITHSTAND:	95kV
MATERIAL:	CYCLOALPHATIC EPOXY INSULATOR
APPLICABLE STANDARD:	ANSI C29.10-1989

B

B

A

A



MV POWER LLC
2811 Hastings Road
Eric, PA 16506
Tel: 814-520-6385
Email: info@mvpower.us
Web: www.mvpower.us

REV. #:	
DRAWN BY: Anthony Dietz	Date: 06/29/2020
REVISED BY: Name	Date: 00/00/0000
MATERIAL:	CYCLOALIPHATIC EPOXY
FINISH:	

DESCRIPTION:		
INDOOR BUS SUPPORT		
SIZE	PART NO.	REV
A	A30-3-OC	
SCALE: NTS	WEIGHT: 6.65 LBS	SHEET 1 OF 1

DO NOT SCALE DRAWING